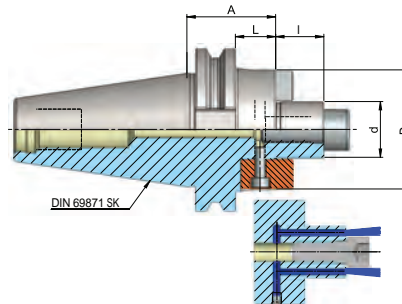


SK SHELL MILL HOLDER DIN 6357 FOR CUTTERS WITH DRIVING SLOT & COOLANT

DIN ISO 7388-1 AD (DIN 69871) SK

QUERNUT-AUFSTECKFRÄSDORN DIN 6357 MIT VERGRÖSSERTEM BUNDDURCHMESSER MIT KÜHLMITTEL



Artikelbezeichnung Item Code	Produktname Product name	Spannbereich Capacity	D	I	L	A
HEI.S30.0316.40	SK 30 16 - 40	16	38	17	21	40
HEI.S30.0322.40	SK 30 22 - 40	22	48	19	21	40
HEI.S30.0327.50	SK 30 27 - 50	27	58	21	31	50
HEI.S30.0332.50	SK 30 32 - 50	32	78	24	31	50
HEI.S40.0316.35	SK 40 16 - 35	16	38	17	16	35
HEI.S40.0316.100	SK 40 16 - 100	16	38	17	81	100
HEI.S40.0316.130	SK 40 16 - 130	16	38	17	111	130
HEI.S40.0316.160	SK 40 16 - 160	16	38	17	141	160
HEI.S40.0322.35	SK 40 22 - 35	22	48	19	16	35
HEI.S40.0322.100	SK 40 22 - 100	22	48	19	81	100
HEI.S40.0322.130	SK 40 22 - 130	22	48	19	111	130
HEI.S40.0322.160	SK 40 22 - 160	22	48	19	141	160
HEI.S40.0327.40	SK 40 27 - 40	27	58	21	21	40
HEI.S40.0327.100	SK 40 27 - 100	27	58	21	81	100
HEI.S40.0327.130	SK 40 27 - 130	27	58	21	111	130
HEI.S40.0327.160	SK 40 27 - 160	27	58	21	141	160
HEI.S40.0332.50	SK 40 32 - 50	32	78	24	31	50
HEI.S40.0332.100	SK 40 32 - 100	32	78	24	81	100
HEI.S40.0332.130	SK 40 32 - 130	32	78	24	111	130
HEI.S40.0332.160	SK 40 32 - 160	32	78	24	141	160
HEI.S40.0340.50	SK 40 40 - 50	40	88		31	50
HEI.S40.0340.100	SK 40 40 - 100	40	88		81	100
HEI.S40.0340.130	SK 40 40 - 130	40	88		111	130
HEI.S40.0340.160	SK 40 40 - 160	40	88		141	160

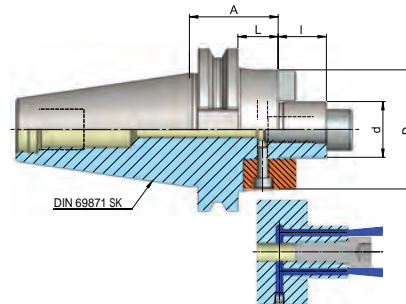
SK SHELL MILL HOLDER DIN 6357

heikenei.com

FOR CUTTERS WITH DRIVING SLOT & COOLANT

DIN ISO 7388-1 AD (DIN 69871) SK

QUERNUT-AUFSTECKFRÄSDORN DIN 6357 MIT VERGRÖSSERTEM
BUNDDURCHMESSER MIT KÜHLMITTEL



DIN
69871

G 2.5
25.000
MIN

COOLANT

FORM
AD

ISO
7388-1



Artikelbezeichnung Item Code	Produktname Product name	Spannbereich Capacity	D	I	L	A
HEI.S50.0316.35	SK 50 16 - 35	16	38	17	16	35
HEI.S50.0316.100	SK 50 16 - 100	16	38	17	81	100
HEI.S50.0316.130	SK 50 16 - 130	16	38	17	111	130
HEI.S50.0316.160	SK 50 16 - 160	16	38	17	141	160
HEI.S50.0316.200	SK 50 16 - 200	16	38	17	181	200
HEI.S50.0322.35	SK 50 22 - 35	22	48	19	16	35
HEI.S50.0322.100	SK 50 22 - 100	22	48	19	81	100
HEI.S50.0322.130	SK 50 22 - 130	22	48	19	111	130
HEI.S50.0322.160	SK 50 22 - 160	22	48	19	141	160
HEI.S50.0322.200	SK 50 22 - 200	22	48	19	181	200
HEI.S50.0327.40	SK 50 27 - 40	27	58	21	21	40
HEI.S50.0327.100	SK 50 27 - 100	27	58	21	81	100
HEI.S50.0327.130	SK 50 27 - 130	27	58	21	111	130
HEI.S50.0327.160	SK 50 27 - 160	27	58	21	141	160
HEI.S50.0327.200	SK 50 27 - 200	27	58	21	181	200
HEI.S50.0332.50	SK 50 32 - 50	32	78	24	31	50
HEI.S50.0332.100	SK 50 32 - 100	32	78	24	81	100
HEI.S50.0332.130	SK 50 32 - 130	32	78	24	111	130
HEI.S50.0332.160	SK 50 32 - 160	32	78	24	141	160
HEI.S50.0332.200	SK 50 32 - 200	32	78	24	181	200
HEI.S50.0340.50	SK 50 40 - 50	40	88	27	31	50
HEI.S50.0340.100	SK 50 40 - 100	40	88	27	81	100
HEI.S50.0340.130	SK 50 40 - 130	40	88	27	111	130
HEI.S50.0340.160	SK 50 40 - 160	40	88	27	141	160
HEI.S50.0340.200	SK 50 40 - 200	40	88	27	181	200
HEI.S50.0350.70	SK 50 60 - 70	50	128	40	51	70
HEI.S50.0360.70	SK 50 60 - 70	60	128	40	51	70